

Digital Signage Players with Amlogic T982

Specifications

Model No.	Amlogic T982 Digital Signage Players
CPU	Amlogic T982 Quad-Core ARM Cortex-A55 Processor up to 1.9GHz
GPU	ARM Mali-G52 MP2 OpenGL ES 3.2, Vulkan 1.1 and OpenCL 2.0
RAM	2GB
ROM	8GB (8GB/32GB/64GB Optional)
OS	Android 13
Wi-Fi / BT	2.4Ghz (2.4G/5G Optional); BT4.2

I/O Port

LVDS Output	1 Single/Dual Channel, Drive 50/60Hz LCD Screen
V-BY-ONE Out	4K*2K@60Hz
Standard Screen Backlight Control Interface	12V, Enable, PWM Dimmer;
USB2.0	1*USB OTG, 1*USB2.0 A
Serial Port	1*RS232 1*TTL
Other Expansion Interfaces	Multipath IO interface, ADC and Button interface
Ethernet	10/100M Fast Ethernet RJ45 Port
RTC	Timer Switch
Upgrade	Support Local USB And OTA Upgrade
Size	125mm*80mm

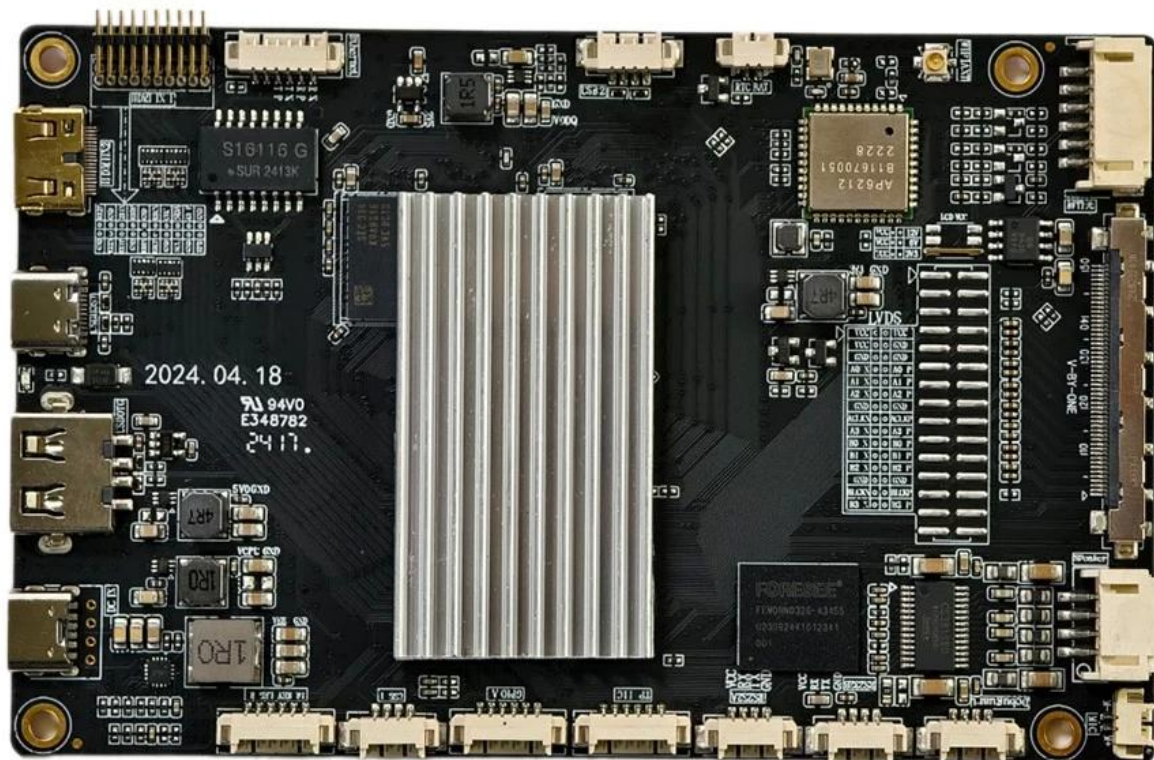


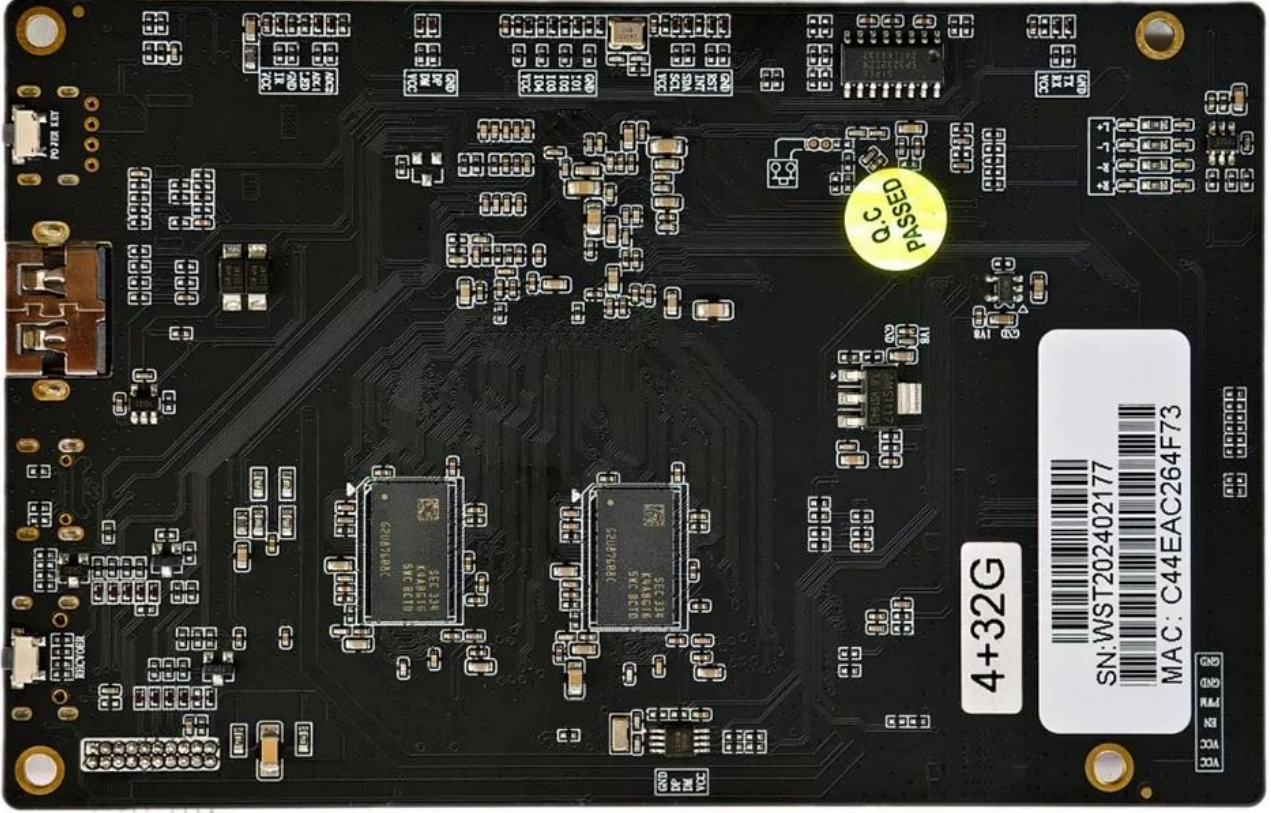
@mlogic

A-T8B043.07

T982

BONMON005

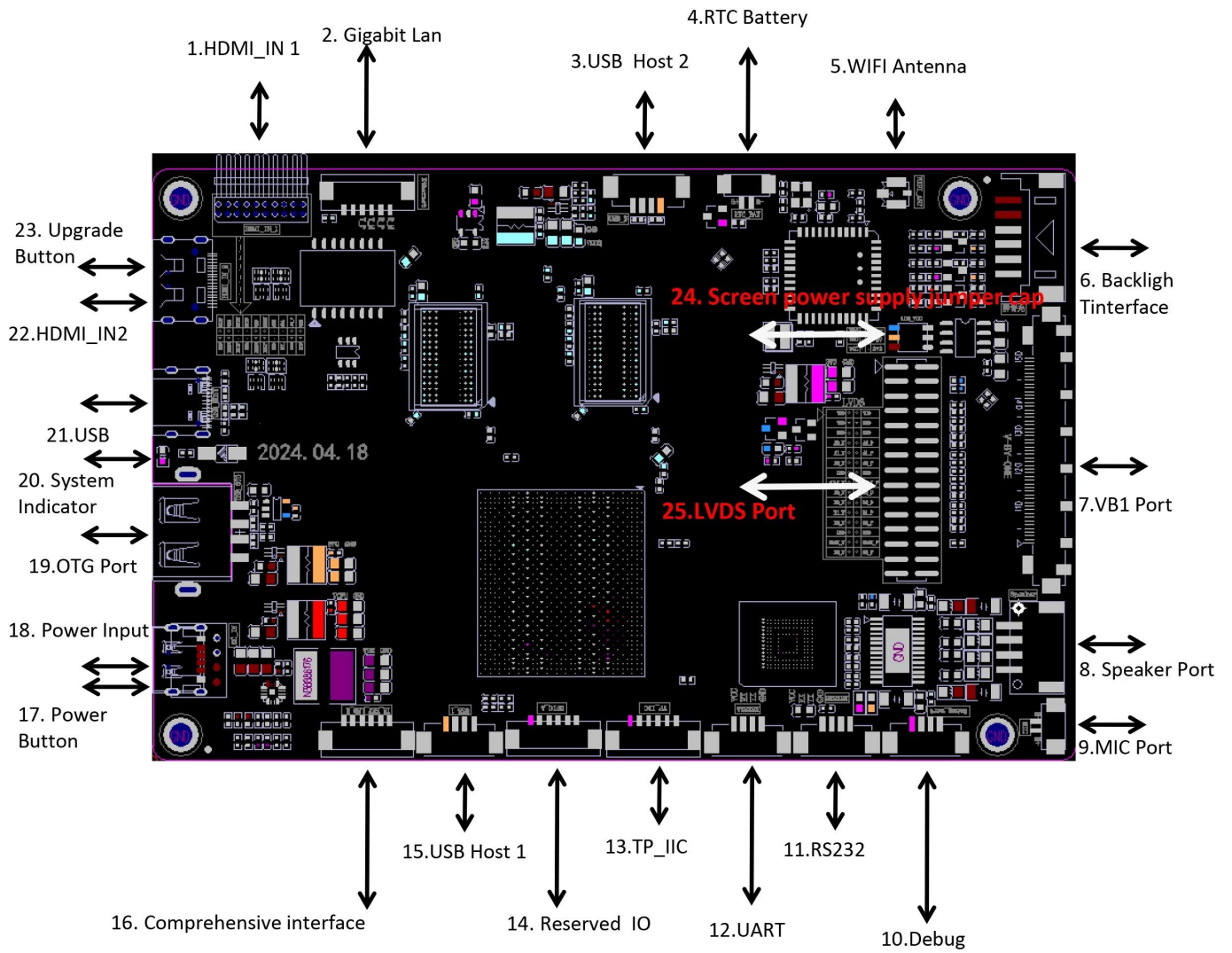


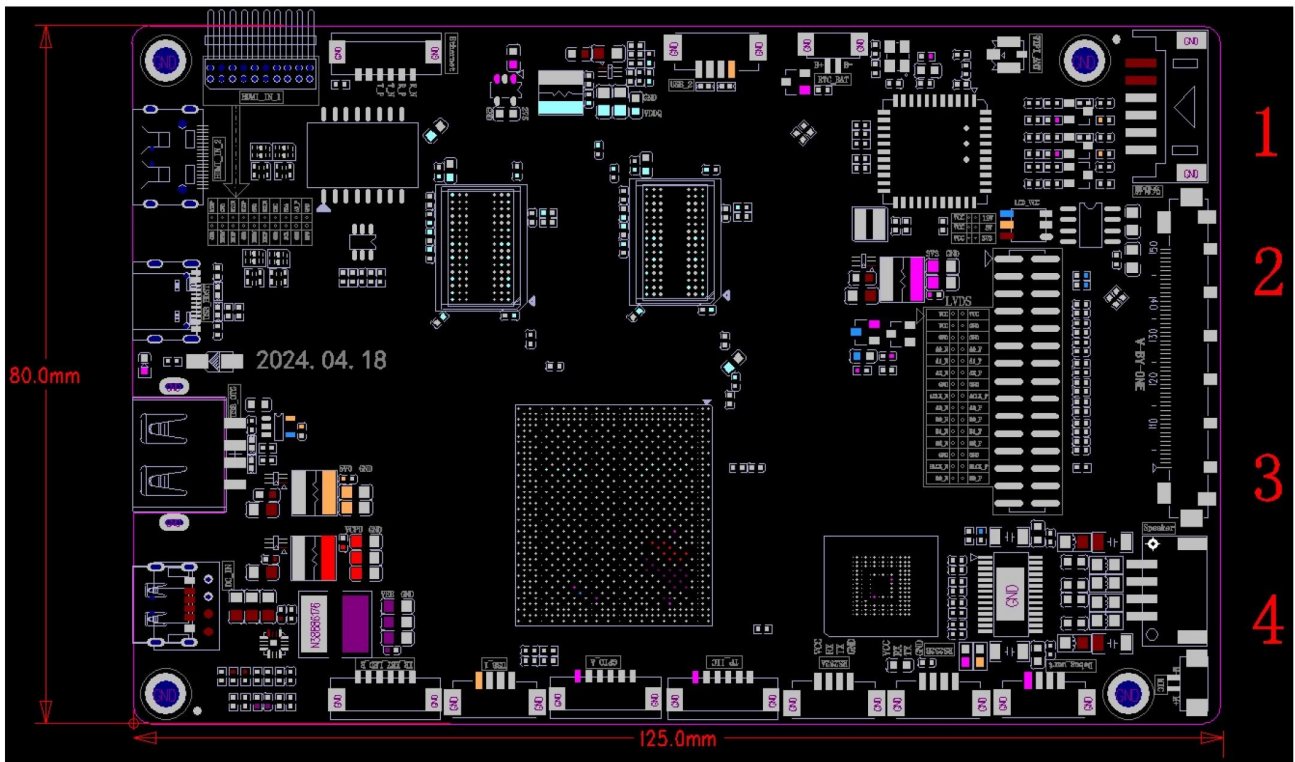


4+32G

SN: WST202402177
MAC: C44EAC264F73

PASSED
0.C





PCB: 4-Layer Board
Size: 80mm*125mm, Plate thickness 1.2mm
Screw hole specifications: $\Phi 3.0\text{mm} \times 4$

The **Digital Signage Players with Amlogic T982** are cutting-edge devices designed to revolutionize the way businesses deliver digital content. Powered by the advanced **Amlogic T982 chipset**, these players combine robust performance, energy efficiency, and unparalleled support for 4K ultra HD content, making them the perfect solution for professional digital signage applications.

Unmatched 4K Ultra HD Performance

At the heart of these digital signage players is the **Amlogic T982**, a powerful processor designed to handle high-resolution content with ease. This chipset ensures smooth playback of 4K ultra HD videos, providing sharp and vibrant visuals that captivate audiences. Whether you're running dynamic advertisements, informational displays, or promotional content, the exceptional performance guarantees impactful visual communication.

Advanced Connectivity Options

These players offer a range of connectivity options, including **HDMI, USB, Ethernet, and WiFi**, allowing seamless integration with various content management systems (CMS) and media devices. This versatility ensures that businesses can effortlessly update, manage, and schedule content remotely, keeping their digital signage fresh and relevant at all times.

Energy-Efficient and Reliable Operation

The Amlogic T982 chipset is engineered for energy efficiency, reducing power consumption while maintaining consistent performance. This makes the players cost-effective for businesses, especially those requiring 24/7 operation in high-traffic environments. The durable hardware ensures long-term reliability, even under continuous usage, providing a dependable solution for digital signage needs.

Compact and Stylish Design

The players feature a **compact and sleek design**, making them easy to install and integrate into various setups. Whether mounted behind screens or placed in kiosks, their unobtrusive form factor ensures a clean and professional appearance. This design flexibility suits diverse applications, from retail stores and restaurants to corporate offices and exhibition spaces.

Customizable Features for Diverse Applications

With customizable hardware and software options, these players cater to a wide range of business needs. For retail environments, they can display promotional videos and product showcases. In hospitality, they provide an excellent platform for interactive wayfinding and guest information. Corporate settings benefit from their ability to deliver engaging branding and internal communications.

Seamless Integration with Content Management Systems

These players are fully compatible with modern **content management systems (CMS)**, enabling businesses to remotely control and update their digital signage. The ability to schedule and adapt content ensures that your advertising campaigns are always timely and effective, maximizing audience engagement and ROI.

Versatile Applications Across Industries

Designed for flexibility, the **Digital Signage Players with Amlogic T982** are suitable for a variety of industries. From enhancing the shopping experience in retail to delivering memorable guest interactions in hospitality and ensuring professional-grade communication in corporate environments, these players provide a reliable and impactful solution for digital signage needs.

Why Choose Amlogic T982 Players?

By combining cutting-edge technology, energy-efficient performance, and customizable features, these digital signage players stand out as a premium choice for businesses aiming to elevate their digital advertising and communication strategies. The robust performance of the Amlogic T982 chipset ensures that content is displayed smoothly and professionally, leaving a lasting impression on audiences.

Whether you're looking to engage customers, streamline operations, or enhance your brand presence, the **Digital Signage Players with Amlogic T982** offer a dependable, high-performance solution tailored to modern business demands.