

Amlogic T982

Amlogic T982

Amlogic T982

Quad-Core ARM Cortex-A55

1.9GHz

ARM Mali-G52 MP2

OpenGL ES 3.2, OpenCL 2.0

2GB

8GB (8GB/32GB/64GB)

13

2.4Ghz (2.4G / 5G);

4.2

12V, PWM;

2.0

1 * RS232

Multipath IO, ADC

10/100M RJ45

USB

OTA

125.*80

Amlogic T982

Amlogic T982 Quad-Core ARM Cortex-A55

1.9GHz

ARM Mali-G52 MP2 OpenGL ES 3.2, OpenCL 2.0

2GB

8GB (8GB/32GB/64GB)

13

2.4Ghz (2.4G / 5G);

4.2

4.2

1 LCD 50/60Hz

4K*2K@60Hz

12V, PWM;

1 * ,

1 * USB2.0

1 * RS232

1 *

Multipath IO, ADC

10/100M RJ45

USB OTA

125.*80

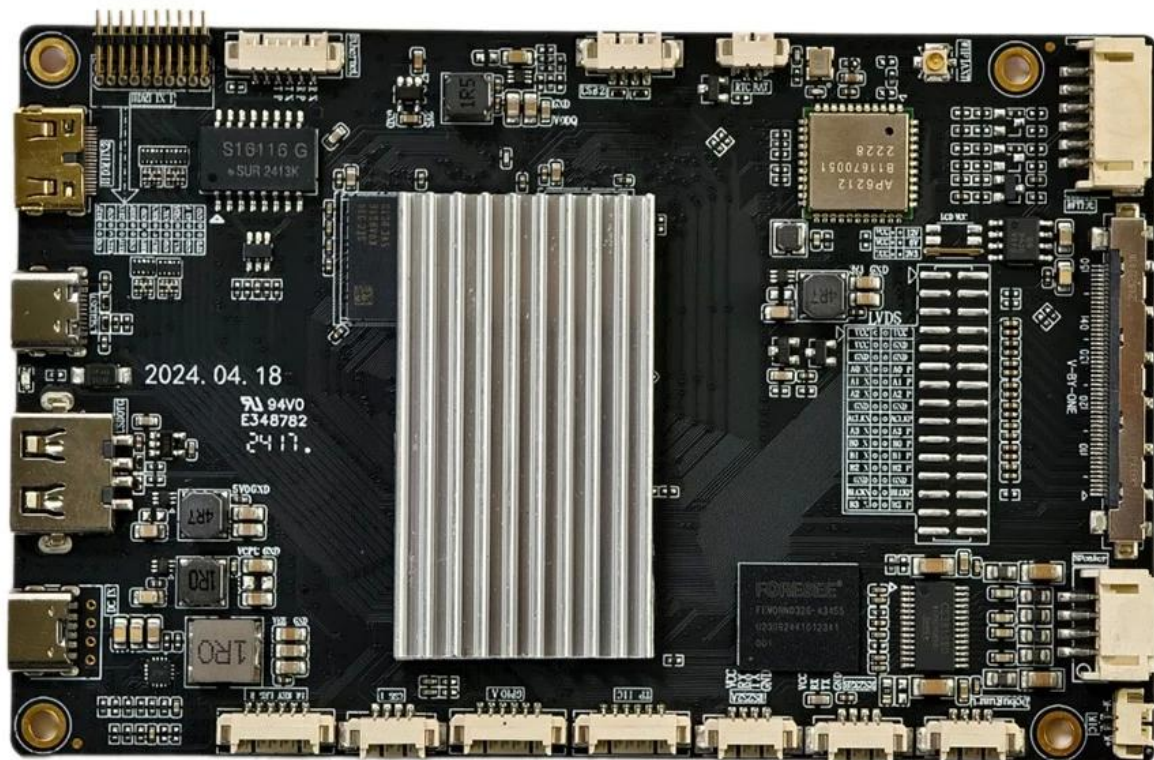


@mlogic

A-T8B043.07

T982

BONMON005



2024. 04. 18
94V0
E348782
2417.

S16116 G
SUR 2413K

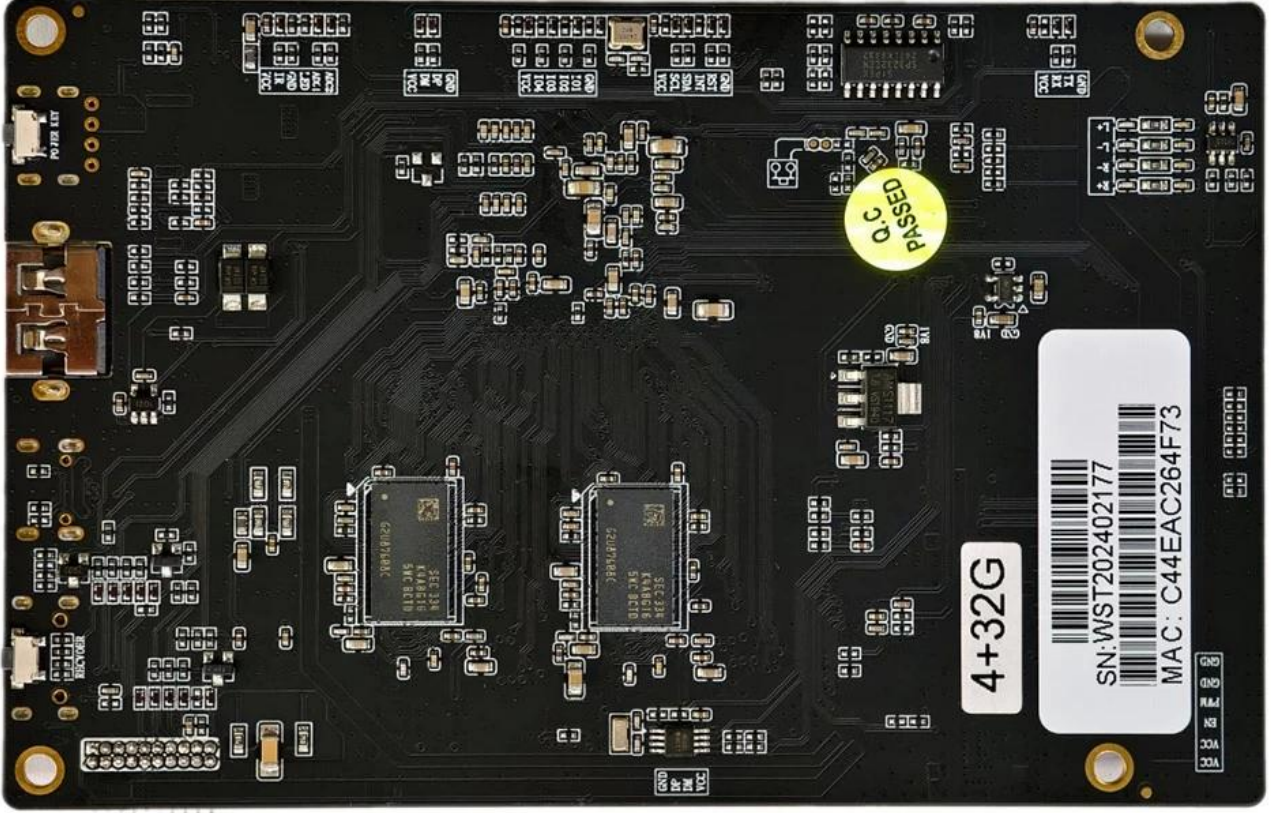
AP6212
81670051
2228

FONCNEE
FTW09020C-3305
00002441072011
001

1R0

4R7

4R7

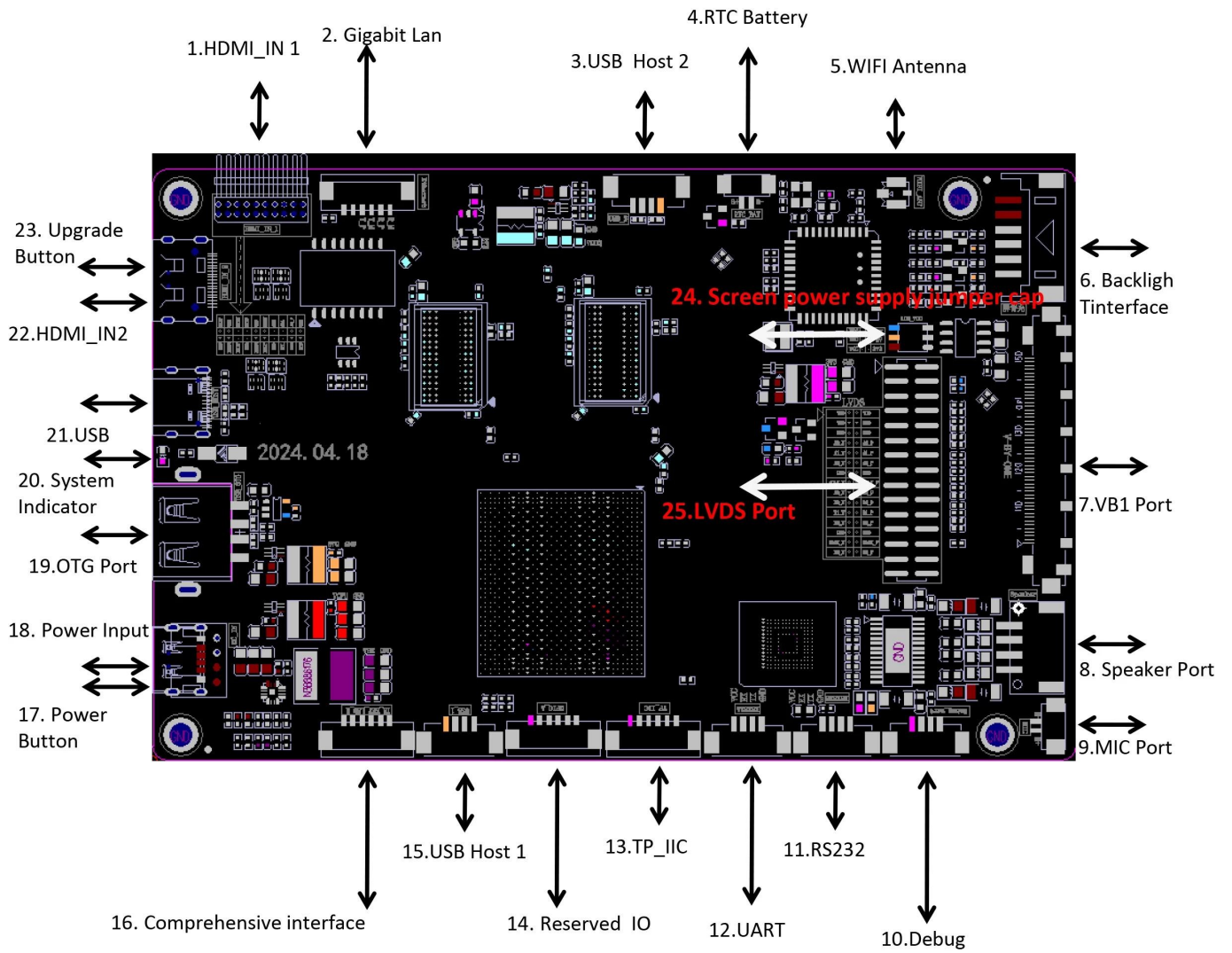


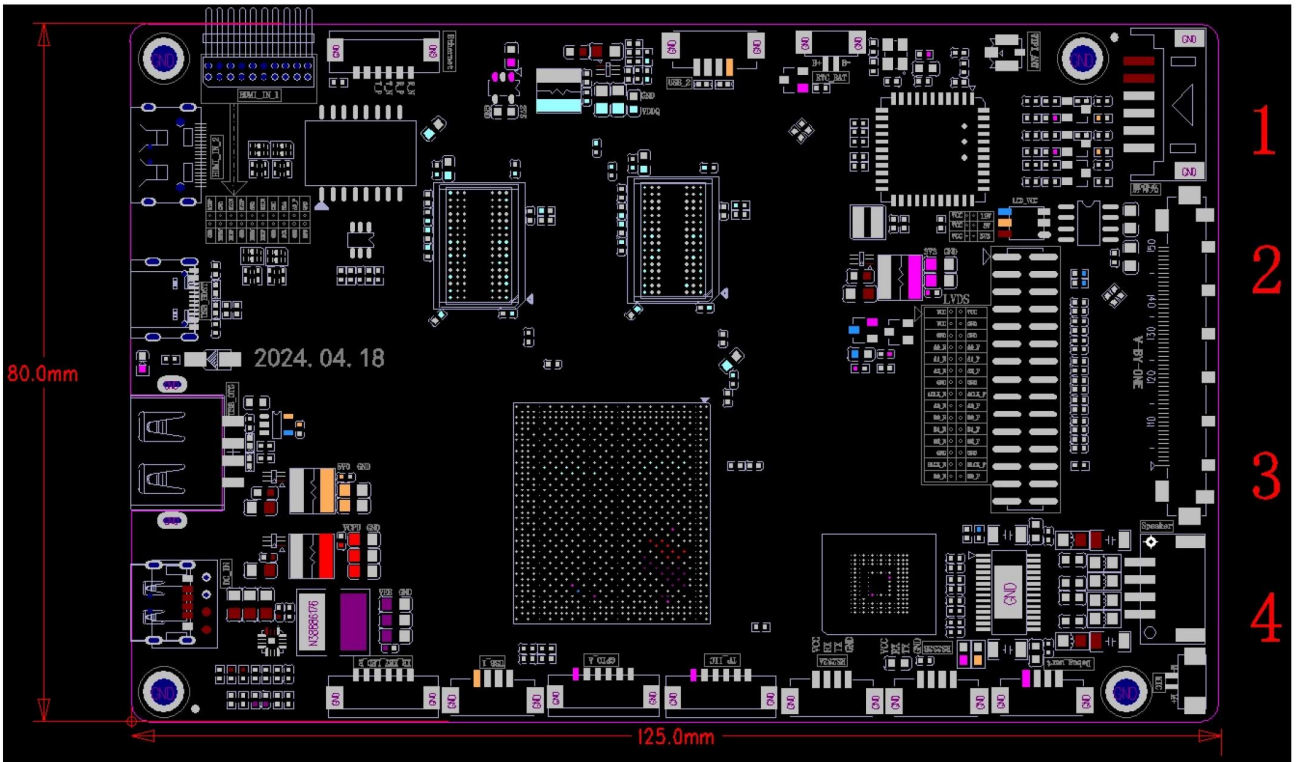
4+32G

SN: WST202402177
MAC: C44EAC264F73

PASSED
0.C

020
010
030
040
050
060
070
080
090
100
110
120
130
140
150
160
170
180
190
200
210
220
230
240
250
260
270
280
290
300
310
320
330
340
350
360
370
380
390
400
410
420
430
440
450
460
470
480
490
500
510
520
530
540
550
560
570
580
590
600
610
620
630
640
650
660
670
680
690
700
710
720
730
740
750
760
770
780
790
800
810
820
830
840
850
860
870
880
890
900
910
920
930
940
950
960
970
980
990





PCB: 4-Layer Board
 Size: 80mm*125mm, Plate thickness 1.2mm
 Screw hole specifications: $\Phi 3.0\text{mm} \times 4$

Amlogic T982
 Amlogic
 T982
 4K ultra HD

4K Ultra HD
 Amlogic
 T982
 4K ultra HD

HDMI, USB, WiFi
 (CMS)

Amlogic T982

24

Amlogic T982
Amlogic T982
Amlogic T982
Amlogic T982

Amlogic T982
Amlogic T982
Amlogic T982
Amlogic T982
Amlogic T982
Amlogic T982
Amlogic T982

Amlogic T982
Amlogic T982
Amlogic T982
Amlogic T982
Amlogic T982
Amlogic T982
Amlogic T982

Amlogic T982
Amlogic T982
(CMS) Amlogic T982
Amlogic T982
Amlogic T982 ROI

Amlogic T982
Amlogic T982 **Amlogic T982**
Amlogic T982
Amlogic T982
Amlogic T982
Amlogic T982

Amlogic T982 **Amlogic T982**
Amlogic T982
Amlogic T982
Amlogic T982
Amlogic T982
Amlogic T982

Amlogic T982
Amlogic T982 **Amlogic T982**
Amlogic T982
Amlogic T982